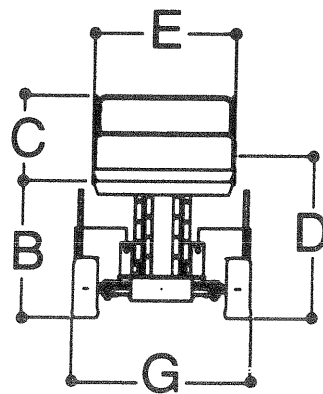
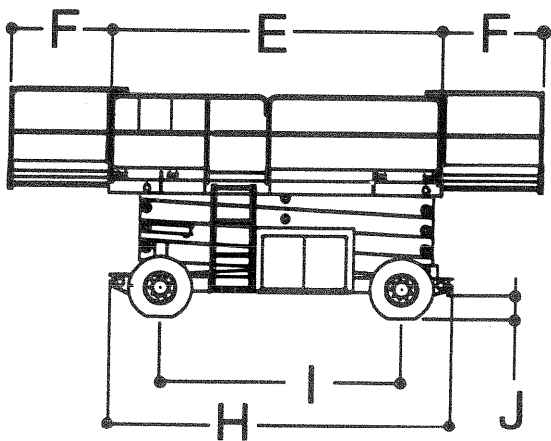
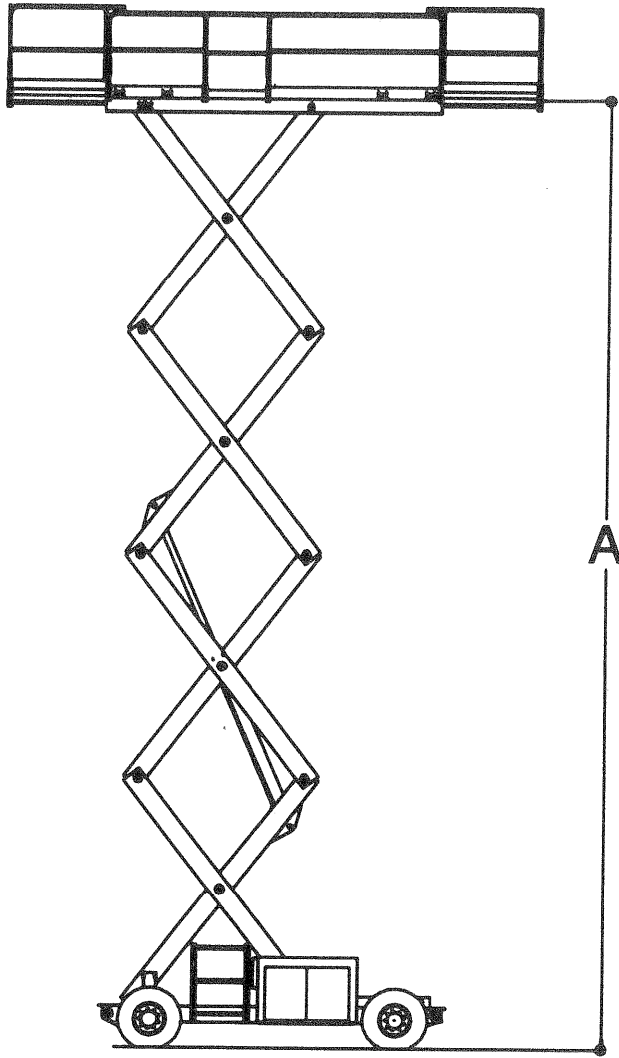


# 400RTS



# 400RTS

## DIMENSIONAL DATA

A. Platform Height—Elevated	.40 ft. (12.19 m)
B. Platform Height—Lowered	.5 ft. 10 in. (1.78 m)
C. Platform Railing Height*	.3 ft. 7.5 in. (1.1 m)
D. Overall Height (Rails Folded Down)*	.7 ft. 2.5 in. (2.2 m)
E. Platform Size	.71 x 168 in. (1.8 x 4.27 m)
F. Platform Extension (Front and/or Rear)	.4 ft. (1.22 m)
G. Overall Width	.7 ft. 6 in. (2.29 m)
Overall Width w/ Optional Tires	.7 ft. 7 in. (2.31 m)
H. Overall Length	.14 ft. 5 in. (4.39 m)
I. Wheelbase	.10 ft. 2 in. (3.1 m)
J. Ground Clearance	.12 in. (30 cm)
Platform Capacity	.2,000 lbs. (907 kg)
Platform Capacity w/Optional Platform Extension	.1,500 lbs. (680 kg)
Capacity on Platform Extension	.500 lbs. (227 kg)
Lift/Lower Time	.60/60 sec.
Maximum Drive Height**	.Full Height
Gross Vehicle Weight***	.13,500 lbs. (6,124 kg)

## CHASSIS

Drive Speed—2WD	.3.5 mph (5.6 kph)
Drive Speed—4WD	.2.8 mph (4.5 kph)
Gradeability—2WD	.35%
Gradeability—4WD	.45%
Turning Radius (Inside)—2WS	.13 ft. 2 in. (4.01 m)
Turning Radius (Inside)—4WS	.6 ft. 6 in. (1.98 m)
Turning Radius (Outside)—2WS	.18 ft. 9 in. (5.72 m)
Turning Radius (Outside)—4WS	.12 ft. 1 in. (3.68 m)
Tire Size/Type	.12 x 16.5 Loader Lug, Foam-Filled
Axle Oscillation (Optional)	.8 in. (20.4 cm)
Brakes	.Spring Applied Multi-Disc

## POWER SOURCE

Dual Fuel Engine	.Ford LRG-425 Water-Cooled, 70 hp (52 kW)
Diesel Engine	.Deutz F3L-1011 Air-Cooled, 42 hp (36 kW)
Fuel Tank Capacity	.15 gal. (56.8 L)
Hydraulic Reservoir	.37 gal. (140 L)

\* additional 3 in. (8 cm) height with optional platform extension

\*\* 32 ft. with optional pneumatic high float tires

\*\*\* certain options or country standards will increase weight