



## DIGGING DEPTH

5'2"

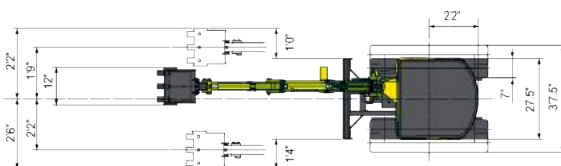
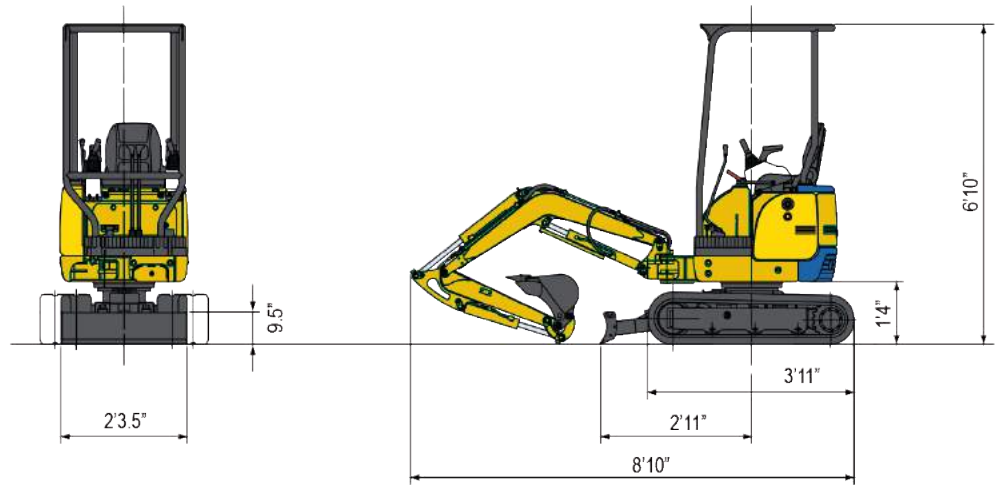
## DIGGING FORCE

2,360 LBS

## OPERATING WEIGHT

2,375 LBS

# KATO



### 9VXB

Working Ranges

A.	Max. digging radius	9'9"
B.	Max. digging depth	5'2"
C.	Max. digging height	9'0"
D.	Max. dumping height	6'6"
E.	Max. vertical digging depth	3'10"
F.	Min. front turning radius	4'0"
G.	At right boom swing	3'1"

# 9V 9VXB

MODEL	9VXB
<b>Performance</b>	
Bucket capacity	8 ft
Bucket width	12"
Operating weight	2,375 lbs
Transportation weight	2,200 lbs
Swing speed	8.7 rpm
Travel speed (low\high)	1.1\ 2.2 mph
Gradeability	30°
Ground pressure	3.8 psi
Max.bucket digging force	2,360 lbs
<b>Boom swing system</b>	
Type	Boom offset with hydraulic cylinder
Swing angle (L\R)	50°\90°
<b>Hydraulic system</b>	
Pressure	2,350 psi
Pump hydraulic flow	2.93 gal\min x2
Pump type	Gear
Auxiliary Flow	5 gpm
<b>Dozer blade</b>	
Size	27.5" x 11"
Lift above ground\ Drop below ground	9" \ 8"

**KATO**  
EXCAVATORS AND TRACK LOADERS

[www.KATOCES.com](http://www.KATOCES.com)

400 Production Court

Elizabethtown, KY 42701

(800) 538-1447 | Fax: (270) 737-0419